

VIPA

ITALIA



ILLUMINAZIONE

AL TUO SERVIZIO PER L'AUTOMAZIONE

STRIP LED LAMP



PUSH BOTTON SWITCH



ILLUMINAZIONE



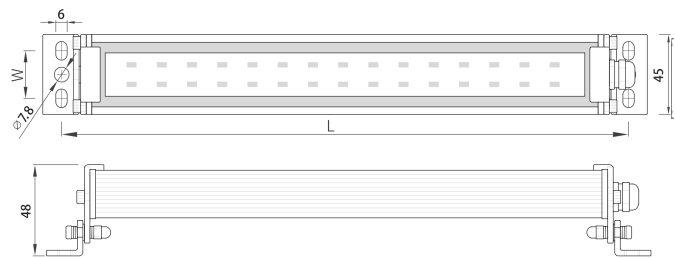
PULSANTI LUMINOSI



LED LIGHT

LED industrial lighting solutions, beautiful selection, excellent quality, high efficiency and energy saving, service life up to 50,000 hours, firm and durable, with shock-proof housing, suitable for various industrial applications, including machine lighting, closed area lighting, visual inspection lighting, workshop lighting, etc. DC low-voltage power supply can be controlled by PLC or other control system, so as to further achieve the effect of energy saving.

Strip LED lamp



Technical parameters

Electronic Control Gear: Driver
 Class of Protection: I or III
 Luminaire of Protection: IP67
 Diameter of Tube: Ø45 mm

Application

CNC machine tools, machine tool, machining center, cold storage, electrical cabinet, freezer, mine and other lighting.

Features

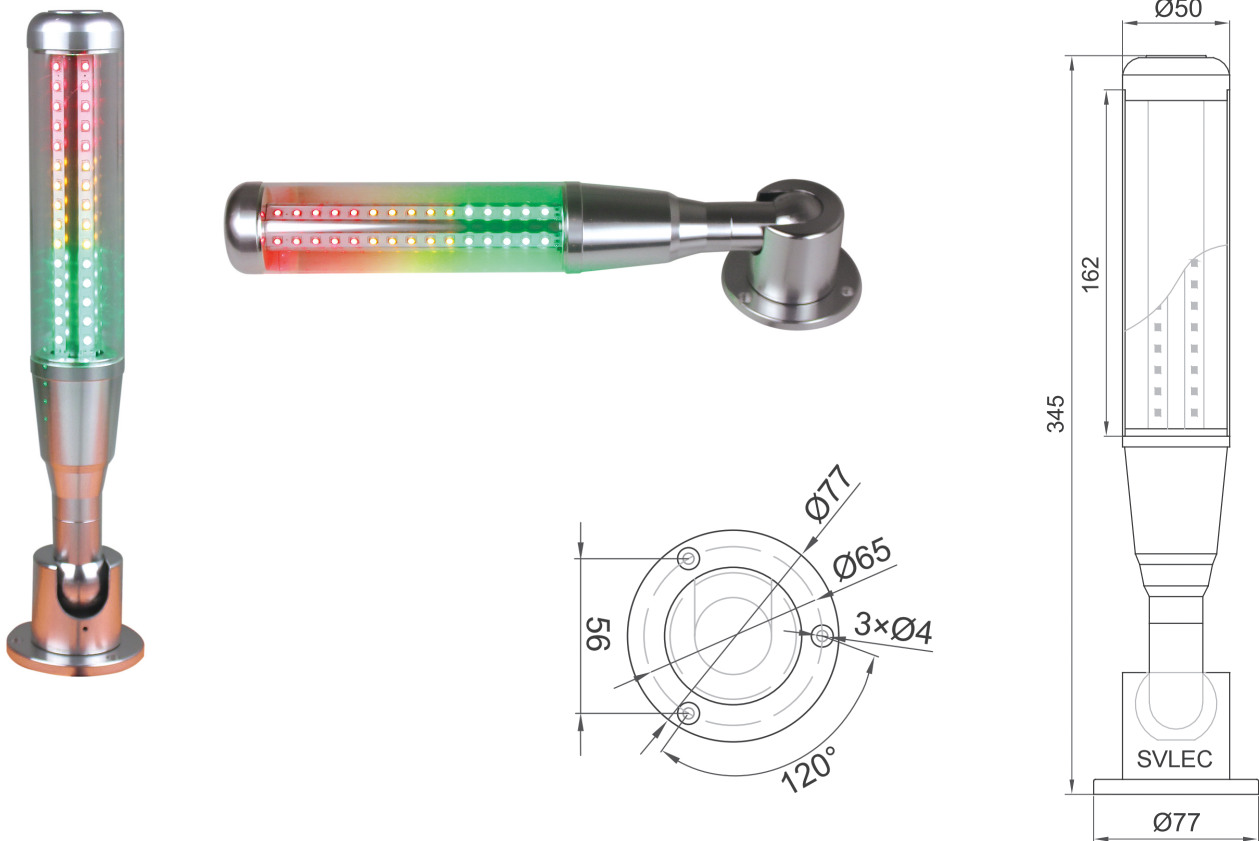
1. Good functions of Water proof, oil proof, anti-corrosion and anti-riot
2. Uniform distribution of light, strong color rendering, good lighting effect
3. Easy installation and low maintenance
4. The LED chips of light source are imported from USA, it has good performance of low power consumption, high efficiency and long life time
5. The high quality of AC/DC LED driver with the good parameters of low power consumption, protect circuit function and long life time 50.000 hours
6. High-quality aluminium and transparent toughened glass with good heat dissipation
7. The quality of waterproof connector, aluminum PCB, silicone rubber sealing ring and reflector/lens;
8. Color rendering index >80 ;
9. Ambient working temperature : -25°C ~+55°C .

Input Voltage	Power	Color Temperature	(L x W) Installation Dimension	Luminous Flux
12-24V DC/AC	6 W	6000K-6500K	297 mm x 25 mm	600 lm
12-24V DC/AC	12 W	6000K-6500K	418 mm x 25 mm	1200 lm
12-24V DC/AC	18 W	6000K-6500K	595 mm x 25 mm	1800 lm
12-24V DC/AC	24 W	6000K-6500K	784 mm x 25 mm	2400 lm
12-24V DC/AC	30 W	6000K-6500K	1008 mm x 25 mm	3000 lm

LED LIGHT

LED industrial lighting solutions, beautiful selection, excellent quality, high efficiency and energy saving, service life up to 50,000 hours, firm and durable, with shock-proof housing, suitable for various industrial applications, including machine lighting, closed area lighting, visual inspection lighting, workshop lighting, etc. DC low-voltage power supply can be controlled by PLC or other control system, so as to further achieve the effect of energy saving.

Multi-Functional Signal Light



Technical parameters

Electronic Control Gear:RGY (BW)
Life time: 50000h
Luminaire of Protection: IP65
Beam angle: 360°

Application

CNC machine tools, machine tool, machining center, security equipment, laser equipment, assembly line, security system and other lighting.

Features

1. Efficient LED multi signal lamps meets the various needs with good price ;
2. High bright LED improving the visual performance of long distance;
3. With red/yellow/green color led improving the color recognition effect ;
4. Easy installation and dismounting ;
5. The lamp body is made of high quality aluminum, with good thermal and shock resistance, it looks more modern and it is collapsible ;
6. The lampshade is made of transparent Acrylic , with good function of thermal and shock resistance.

LED LIGHT

LED industrial lighting solutions, beautiful selection, excellent quality, high efficiency and energy saving, service life up to 50,000 hours, firm and durable, with shock-proof housing, suitable for various industrial applications, including machine lighting, closed area lighting, visual inspection lighting, workshop lighting, etc. DC low-voltage power supply can be controlled by PLC or other control system, so as to further achieve the effect of energy saving.

Multi-Functional Signal Light



Technical parameters

Electronic Control Gear: RGY (BW)

Life time: 50.000 h

Luminaire of Protection: IP67

Beam angle: 360°

Application

CNC machine tools, machine tool, machining center, security equipment, laser equipment, assembly line, security system and other lighting.

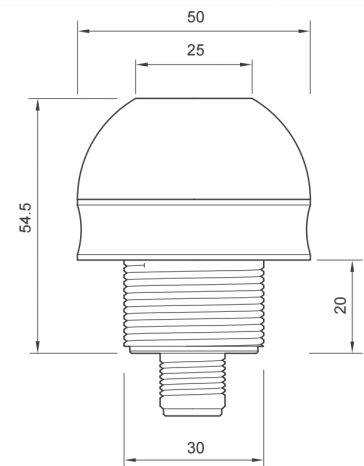
Features

1. Efficient LED multi signal lamps meets the various needs with good price;
2. 360 degrees without corner exposure, eliminate the visual blind spots may exist, greatly improving the visual performance of long distance;
3. 30mm hemispherical shape with super long life LED light;
4. A single light color can be up to three, three kinds of color (Red / Yellow / Green) is optional;
5. Easy to install, easy to maintain;
6. Optional 4-pin connector/PVC cable.

Touch signal Light

Features

1. Touch operation, easy to improve production efficiency
2. High-quality LED light source, long service life, energy saving and environmental
3. Easy to install, durable, fully sealed, protection class IP69K



PUSH BUTTON SWITCH

WD Series

22/30mm Short Body Stainless Steel Anti Vandal Push Button Switch Self-Reset Normal Open

Quick Details:

Our metal push buttons are made of high quality LED beads with gorgeous and beautiful lighting colors. The lamp bead has a service life of up to 40,000 hours. It is waterproof, dustproof and destruction-proof. It can be used in outdoor harsh environment. 22/30mm mounting hole size, 1NO-normal open.

Technical parameters

Mounting hole size: 22 or 30 mm

Panel thickness: 0.5mm - 3mm

MAX. Current: 500mA

MAX. Voltage: 24VDC

Contact configuration: Normal Open N°1

Operation type: momentary

Operation temperature: -20°C +55°C

Contact resistance: $\leq 50\text{m}\Omega$

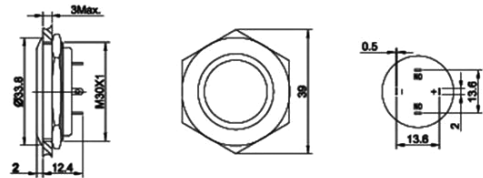
Insulation resistance: $\geq 1000\text{M}\Omega$

Head shape: Flat Head

Shell material: 304 Stainless steel

Terminal type: 4 wires 100 cm length

IP Grade: IP67



WD30F-10E/J

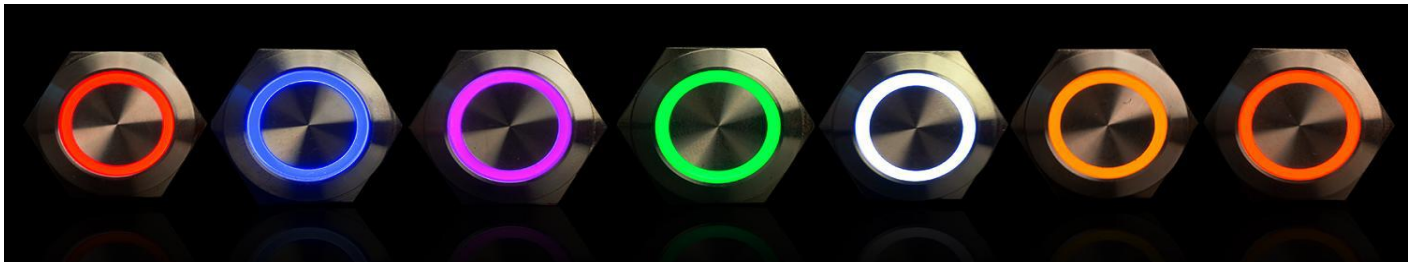


LED Parameter

Type (Laser Engraved): NO lamp / Ring symbol / Power symbol / START / STOP / RESET / JOG

Color: Blue / Green / Yellow / Black / White / Orange

Life: more than 40000 hours



PUSH BUTTON SWITCH

LA Series

22mm Metal push buttons; 1NO + 1NC / 2NO 2NC ; Momentary / Latching; 95% Silver contact ; IP67 Waterproof; High Quality, High Life; LED symbol customizable; CE ROHS

JT Series

Emergency Stop Switch; 1NO + 1NC / 2NO 2NC ; 95% Silver contact ; IP67 Waterproof; High Quality, High Life; CE ROHS

Technical parameters LA Series

Mounting hole size: 22 mm
Panel thickness: 1-10mm
MAX. Current: 5A
MAX. Voltage: 250VAC DC
Contact configuration: 1NO + 1NC / 2NO + 2NC
Operation type: Momentary or Latching
Operation temperature: -20°C +55°C
Contact resistance: $\leq 50\text{mA}$
Insulation resistance: $\geq 1000\text{mA}$
Head shape: Flat Head / High Head
Shell material: Stainless steel
Terminal type: PIN terminal
IP Grade: IP67



LED Parameter

Type (Laser Engraved): NO lamp / Ring symbol / Power symbol / START / STOP / RESET / JOG
Color: Blue / Green / Yellow / Black / White / Orange
Life: more than 40000 hours

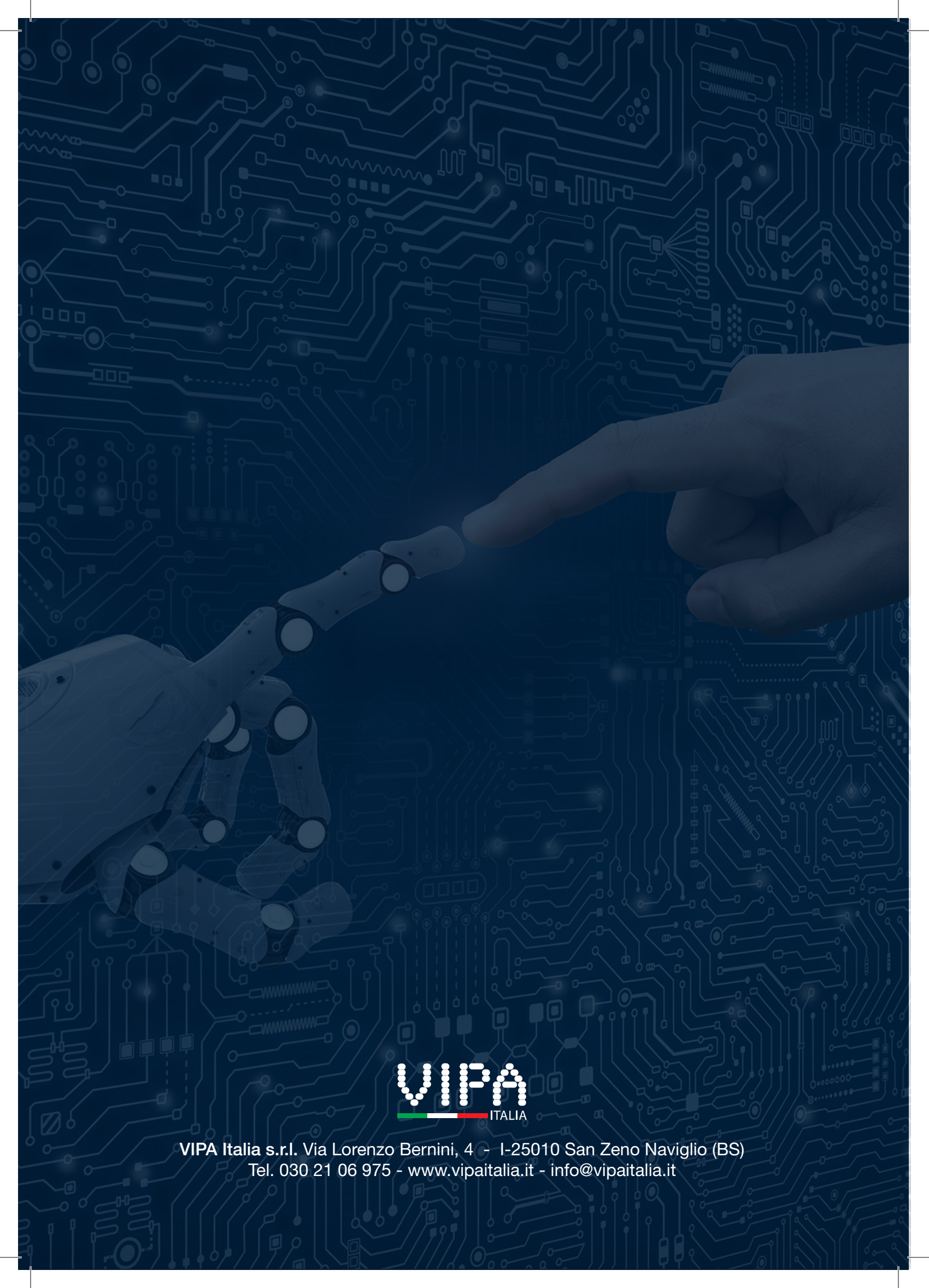


LED Parameter

Type: NO lamp

Technical parameters JT Series

Mounting hole size: 22 mm
Panel thickness: 1-10mm
MAX. Current: 5A
MAX. Voltage: 250VAC DC
Contact configuration: 1NO + 1NC / 2NO + 2NC
Operation type: Emergency Stop
Operation temperature: -20°C +55°C
Contact resistance: $\leq 50\text{mA}$
Insulation resistance: $\geq 1000\text{mA}$
Head shape: Mushroom Head
Shell material: Stainless steel
Terminal type: PIN terminal
IP Grade: IP67



VIPA Italia s.r.l. Via Lorenzo Bernini, 4 - I-25010 San Zeno Naviglio (BS)
Tel. 030 21 06 975 - www.vipaitalia.it - info@vipaitalia.it